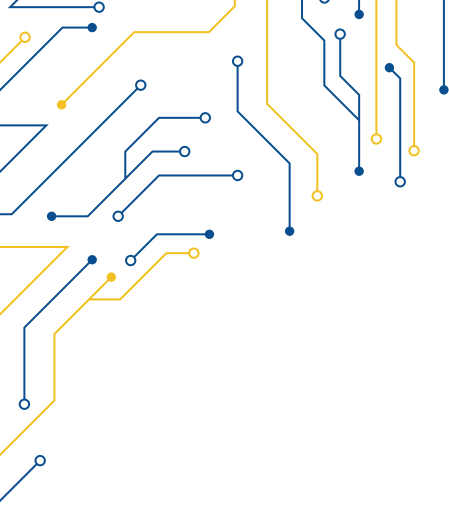




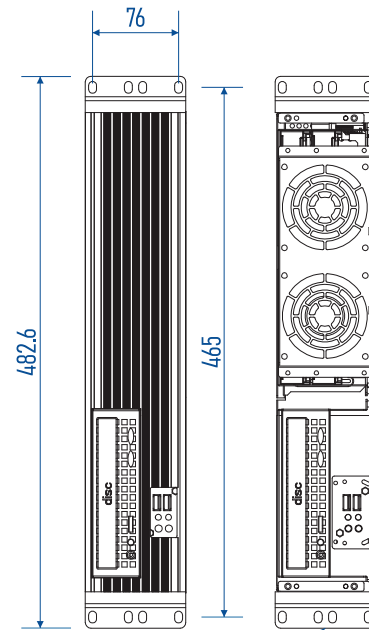
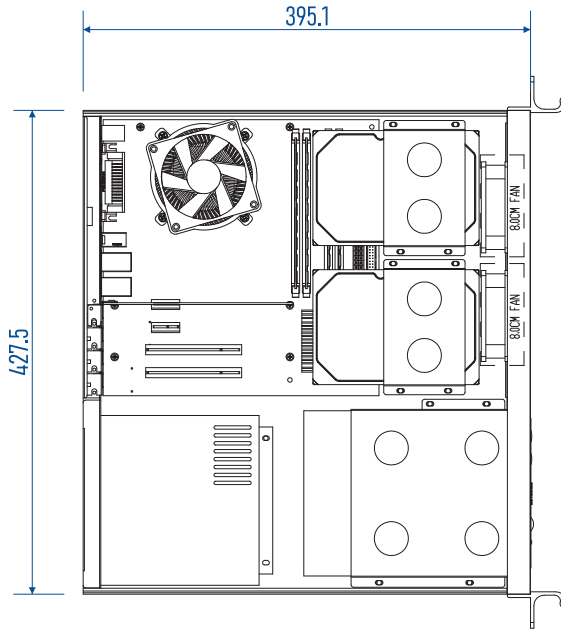
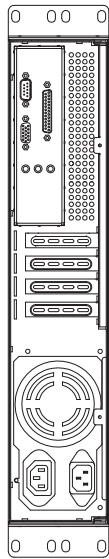
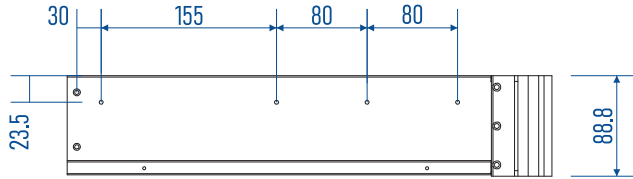
RACK PC 1 UNIT

ENVIRONMENTAL	
OPERATING TEMPERATURE	0°C ~ 50°C
STORAGE TEMPERATURE	-40°C ~ 75°C
OPERATING HUMIDITY	40°C @ 95% Relative Humidity, Non-condensing
MECHANICAL	
DIMENSIONS	482.6 x 177 x 470
WEIGHT	7 kg
ENCLOSURE	Aluminium, ventilated
MOUNTING	1x Unit Rack Mounting
LED INDICATORS	1x Power Status, 1x HDD activity, 2x LAN activity
BUTTONS	1x Power ON/OFF, System Reset
CERTIFICATE INFORMATION	
CERTIFICATIONS	CE / FCC CLASS A
IP RATING	IP20

MODEL	RACK 101-1230
SYSTEM	
PROCESSORS	Intel® Core™ i3-12100T 2.2GHz 12MB
	Intel® Core™ i5-12400T 1.8GHz 18MB
	Intel® Core™ i7-12700T 1.4GHz 25MB
	Intel® Core™ i9-12900TE 1.1GHz 30MB
	Intel® Celeron® G6900E 3.0GHz 4MB
CHIPSET	Intel® H610
GRAPHICS	Intel® UHD Graphics
SYSTEM MEMORY	
GENERAL FEATURES	2x 260-pin SO-DIMM Dual Channel DDR4 3200MHz
MAX. CAPACITY	64GB
O.S. SUPPORT	
OS INFORMATION	WINDOWS 10 64bit 11 64bit
	Linux
STORAGE	
SATA	4x SATA3 6GB/s
M.2	1x M.2 (Key M, 2242/2260/2280) with PCIe Gen3 x4 for SSD
ETHERNET	
CONNECTOR	2x RJ45
LAN1	Intel® I225LM with 10/100/1000/2500 Mbps
LAN2	Intel® I225LM with 10/100/1000/2500 Mbps
I/O	
USB (rear)	2x USB 3.2 Gen2, 1x USB 3.2 Gen1, 5x USB 2.0
SERIAL	3x RS-232, 2x RS-232/422/485
VIDEO (Triple Display)	1x HDMI 2.0b, 2x DP 1.4a++, 1x VGA
AUDIO	2x Line-Out / Mic-In
EXPANSION	
SLOTS	1x PCIe x16 Gen 4
	1x M.2 (Key E, 2230) with PCIe x1, USB 2.0 and CNVi for Wireless
	1x M.2 (Key B, 3042/3052) with PCIe x1/USB3.2 Gen1/USB 2.0 and SIM for 4G/5G
POWER REQUIREMENT	
DC INPUT	230 V 110V / 500W Default
DC INPUT CONNECTOR	ATX (24+4-pin) and +12V DC-In co-design



RACK 101-1230



INSIDE VIEW