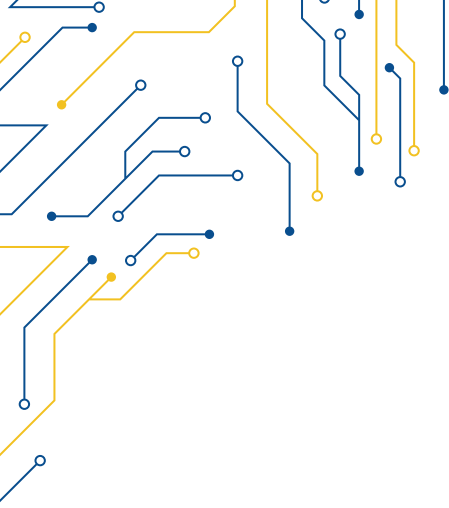




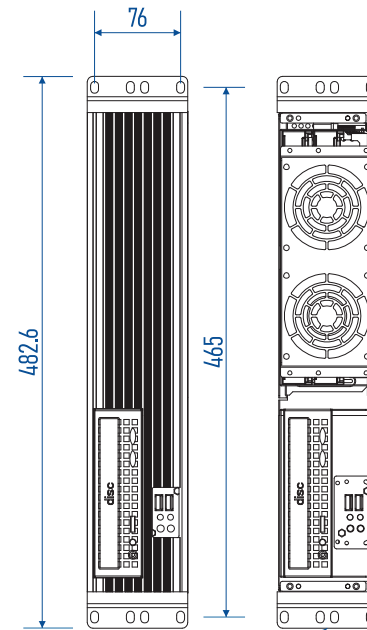
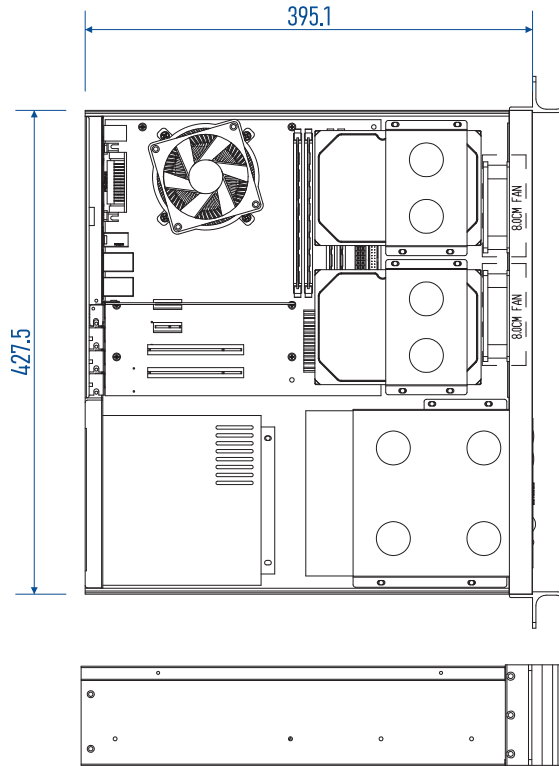
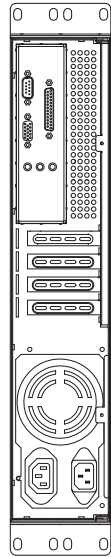
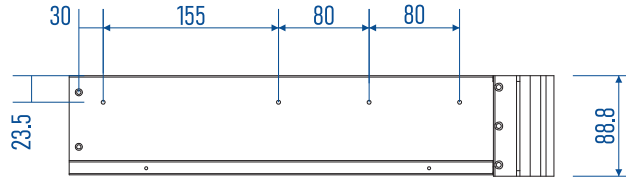
RACK PC 1 UNIT

ENVIRONMENTAL	
OPERATING TEMPERATURE	0°C ~ 50°C
STORAGE TEMPERATURE	-40°C ~ 75°C
OPERATING HUMIDITY	40°C @ 95% Relative Humidity, Non-condensing
MECHANICAL	
DIMENSIONS	482.6 x 177 x 470
WEIGHT	7 kg
ENCLOSURE	Aluminium, ventilated
MOUNTING	1x Unit Rack Mounting
LED INDICATORS	1x Power Status, 1x HDD activity, 2x LAN activity
BUTTONS	1x Power ON/OFF, System Reset
CERTIFICATE INFORMATION	
CERTIFICATIONS	CE / FCC CLASS A
IP RATING	IP20

MODEL	RACK 101-1225
SYSTEM	
PROCESSORS	Intel® Core™ i3-10100T Comet Lake 3.0GHz 6MB Intel® Core™ i5-10500T Comet Lake 2.3GHz 12MB Intel® Core™ i7-10700T Comet Lake 2.0GHz 16MB Intel® Core™ i9-10900T Comet Lake 1.9GHz 20MB
CHIPSET	Intel® H410
GRAPHICS	Intel® UHD Graphics
BIOS	AMI SPI 128 Mbit
SYSTEM MEMORY	
GENERAL FEATURES	2x 260-pin SODIMM Dual Channel DDR4 2933/2666/2400 MHz
MAX. CAPACITY	64GB
O.S. SUPPORT	
OS INFORMATION	WINDOWS 10 64bit 11 64bit Linux
STORAGE	
SATA	4x SATA3 6GB/s
M.2	1x M.2 (Key M, 2242/2260/2280) with PCIe x4
EXPANSION	
PCIe	1x PCIe x16 Gen 3
M.2	1x M.2 (Key E, 2230) with PCIe x1, USB 2.0 for Wireless
I/O	
USB	4x USB 3.2 Gen1, 4x USB 2.0
SERIAL	4x RS-232, 2x RS-232/422/485
VIDEO	1x DP1.2, 1x VGA, 1x HDMI 1.4, Supports Dual Display
AUDIO	2x Line-Out / Mic-In
ETHERNET	
CONNECTOR	2x RJ45
LAN1	Intel® I219V with 10/100/1000 Mbps
LAN2	Intel® I210 with 10/100/1000 Mbps
POWER REQUIREMENT	
DC INPUT	230 V 110V / 500W Default
DC INPUT CONNECTOR	ATX (24+4-pin) and +12V DC-In co-design



RACK 101-1225



INSIDE VIEW