

MICROBOX 210 SE

Celeron J 1900, 2.0GHz



Features

- _ Intel® BayTrail-D Celeron Quad-Core J1900 2.0GHz CPU
- _ Intel® Atom Processor E3845 Quad-Core 1.91GHz (by project)
- _ Optimized performance and low power system
- _ Dual display VGA/HDMI, dual Gigabit LAN, 2x USB 3.0, 4x USB 2.0
- _ 4x COM, COM 1 by RS232/422/485, COM 2/3/4 by RS232
- _ Wide DC 9-36V Input by 2pin phoenix connector
- _ Supports Microsoft Windows Embedded 8.1 Pro, Embedded Std 8, WS7P, WS7E
- _ Automation control and performance management system
- _ ATM, Kiosk, self-service, machine automation, IoT gateway platform

Specifications

Processor System

CPU	2.0GHz Quad Core
L2 Cache	2 MB
CPU/TDP 15W	Celeron J1900 / 10W
BIOS	AMI 16MB AMI UEFI with GUI support
Graphics processor	Intel® HD Graphics

Expansion Slot

Mini-PCIe / mSATA	1 x full-size (shared with mSATA)
Mini-PCIe (Half-size)	1 x half-size

Memory

Specification (SO-DIMM)	1 x DDR3L-1333
System Max. Capacity	8 GB

Graphics

VGA	1 x VGA (1920x1200)
HDMI	1 x HDMI (1920x1200)
LVDS (Internal connector)	1 x Dual channel 24bit LVDS up to 1920x1200 (customized LVDS solution for LCD)

Ethernet

LAN Gigabit Controller	Realtek RTL8111E-VL
------------------------	---------------------

Storage

2.5" Driver	1 x SATA1 for 2.5" SATA drive
mSATA	1 x full-size Mini-PCIe shared with SATA2
SATA DOM	Options 32GB SATAIII on SATA2 (mSATA disabled)

Rear I/O

VGA	1 x DB-15
HDMI	1 x HDMI
Ethernet	2 x RJ45
USB Type A	2 x USB 3.0 x USB 2.0
Line-out	1 x Audio jack (Line-out)
Mic-in	1 x Audio jack (Mic-in)
System Power Input	1 x 2-pin phoenix connector 9-36Vdc Input
Antenna	2 x Antenna holes (options)

Ethernet

Power-on Button	1 x Moment button switch to turn-on system
System Power LED	1 x LED for system power status
HDD LED	1 x LED for SATA HDD data access status
COM1	1x RS232/422/485 DB9, Pin9 +5/+12V selectable)
COM2-3-4	3x RS232 DB9
USB Type A	2 x USB 2.0
Option GPIO 8bit	1 x DB9 or DB15 by request or front bezel
Customized LVDS Port	4 x GPI + 4 x GPO and GND Customized LVDS solution for open frame LCD display

Operation System

Win 7	Win 7 32bit, 64bit, WS7E/WS7P, 32bit, 64bit
Win 8	Win 8 32bit, 64bit

Watchdog Timer

Output and Interval	System reset, programmable 1 - 255 sec/min; 1 sec. or 1 min. /step
---------------------	--

Power Requirement

DC Input	9-36Vdc input (option DC12V 60W adapter)
----------	--

Environment

Operating Temperature	-10°C_60°C (32_140°F)
Air Flow condition	50°C -60°C with 0.7m/s air flow
Storage Temperature	-40_85°C (-40_185°F)

Physical Size

Dimensions	225 mm(W) x 140 mm(D) x 45 mm(H)
------------	----------------------------------

Packing Size

Dimensions	300 mm(W) x 260 mm(D) x 130 mm(H)
------------	-----------------------------------

Weight

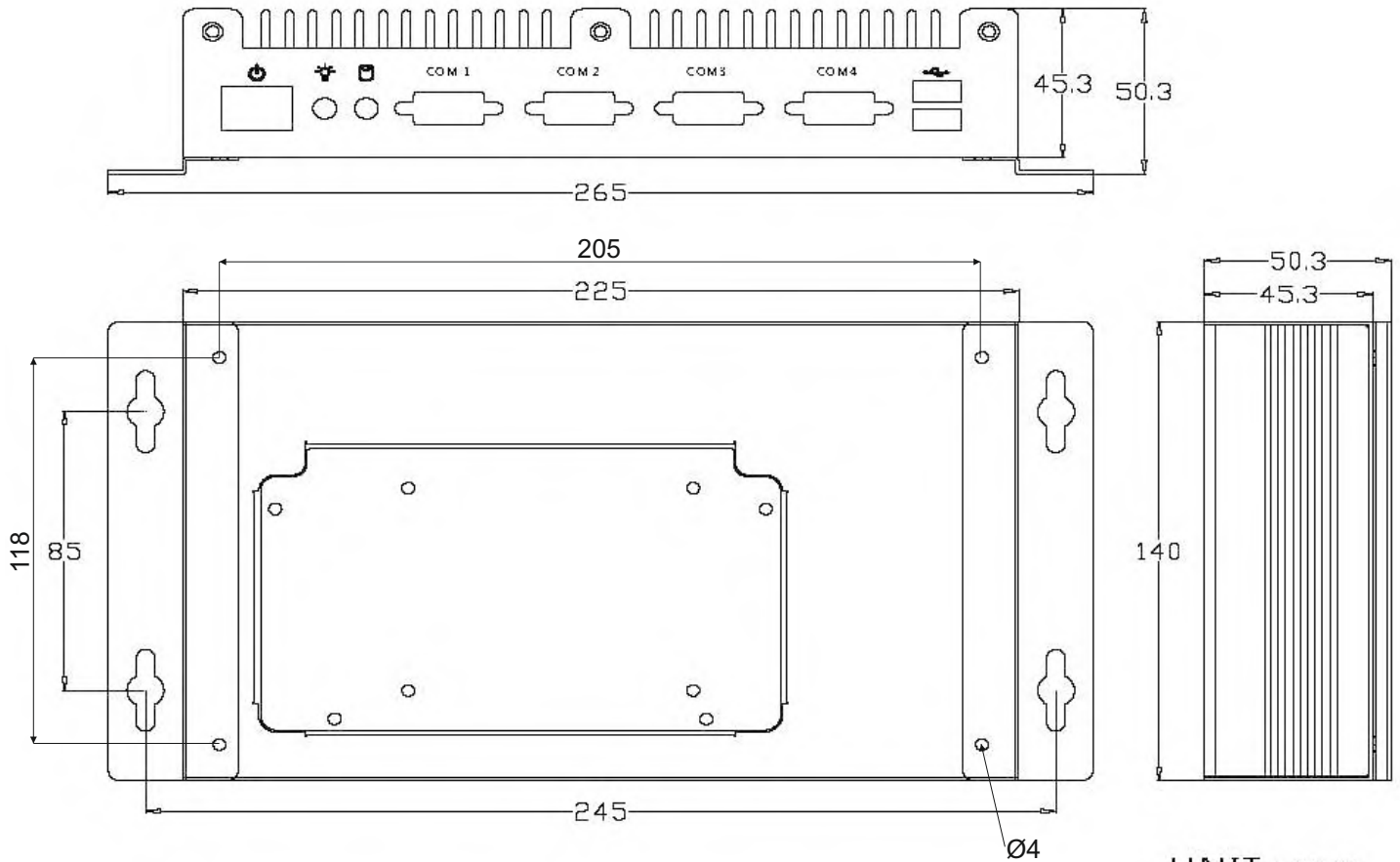
N.W/G.W.	Single packed: 3Kg / 4Kg
----------	--------------------------

Certifications

EMC	CE, FCC Class B
-----	-----------------

DIMENSIONS

MICROBOX 210 SE



UNIT : mm

