



# MICROBOX

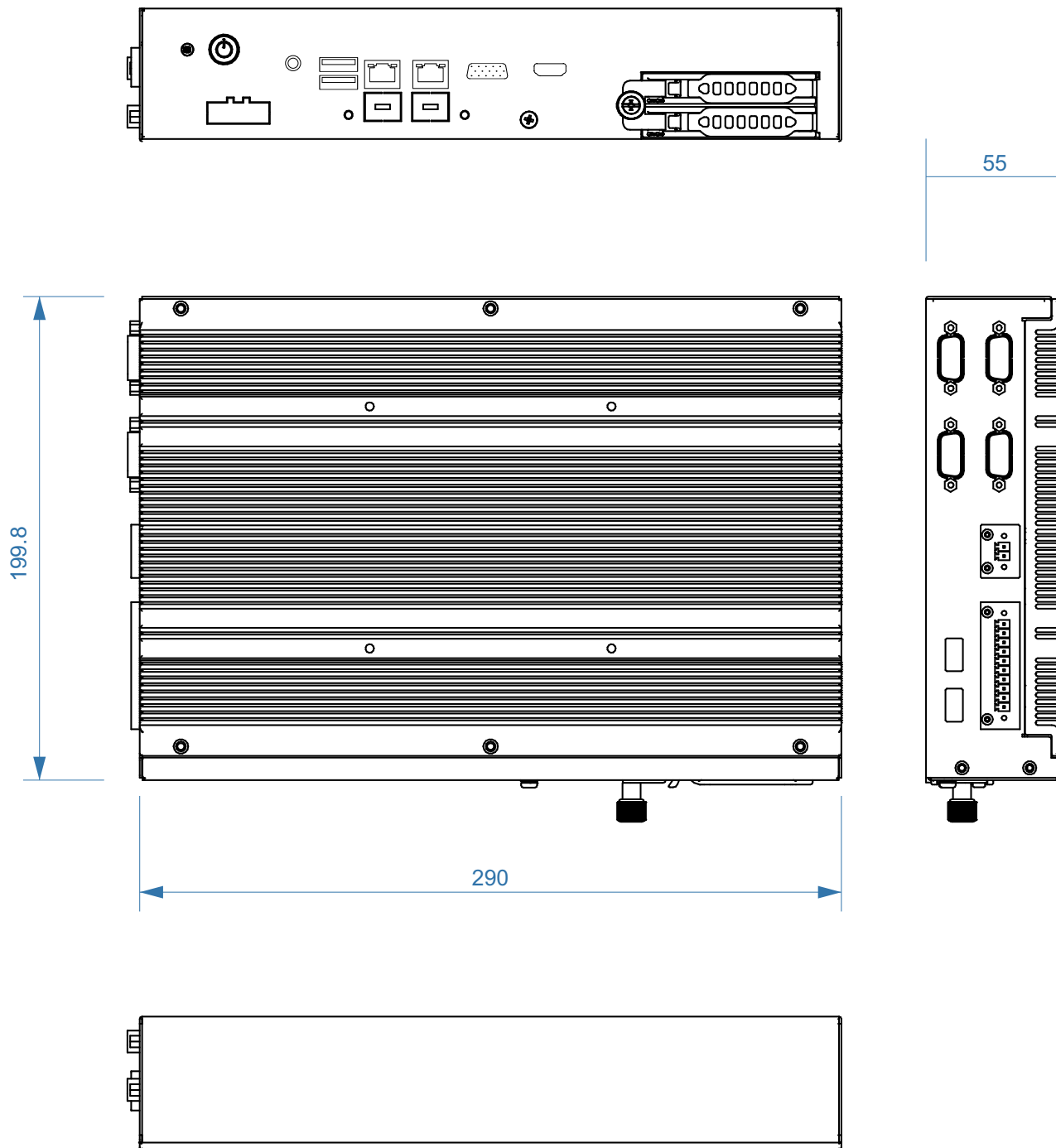


**J1900  
CPU**

Model Name	MICROBOX 210-ME
<b>System</b>	
CPU	Intel® Celeron™ J1900 2.0GHz Quad Core Processor
Chipset	SoC
<b>Expansion Slot</b>	
Mini-PCIe	1x Mini-PCIe (half-size) +1 (full-size) shared with mSATA
mSATA	1x mSATA (full-size) shared with SATA2
<b>Memory</b>	
Technology	Single Channel DDR3L 1333MHz SDRAM
Max.	8GB
Socket	1x SO-DIMM
<b>Graphics</b>	
Controller	Intel 7 <sup>th</sup> Gen. Graphics DX 11. OGL 3.2
VGA / HDMI	Support max. resolution up to 1920 x 1200
Multi Display	Dual display
<b>Ethernet</b>	
Interface	10/100/1000 Mbps
Controller	2x Realtek RTL8111G-CG
<b>I/O</b>	
Interface	1x VGA, 1x HDMI, 2x RJ45, 2x USB 3.0, 2x USB 2.0, 3x COM (RS232), 1x COM (RS232/422/485), 1x Audio jack (Line-out), 1x 3pin DC power, 2x additional LAN (optional), 4x GPI + 4x GPO
<b>Power</b>	
Power Input	9 ~ 36V DC
Power Consumption	45W
<b>Mechanical</b>	
Construction	Black steel chassis
Mounting	Panel / Wall / VESA mounting
Dimension (mm)	290 x 199.8 x 55
Weight (Kg)	3.2
<b>Environment</b>	
Operating Temperature	0°C ~ 50°C
Storage Temperature	-20°C ~ 70°C
<b>O. S. Support</b>	
Windows®	Windows® 7 Ultimate (32/64bit), 7 PRO (32/64bit) Ita/Eng, 7 Embedded WS7E (32bit) Eng, 7 Embedded WS7P (32bit) ML, 10 PRO (32/64bit) ML, 10 IoT Enterprise

MICROBOX 210-ME | BOX PC FANLESS

# MICROBOX 210-ME | Box PC Fanless



MICROBOX 210-ME | BOX PC FANLESS